



# Table Clamp for Tab Grabber Tablet Computer / eReader Holder

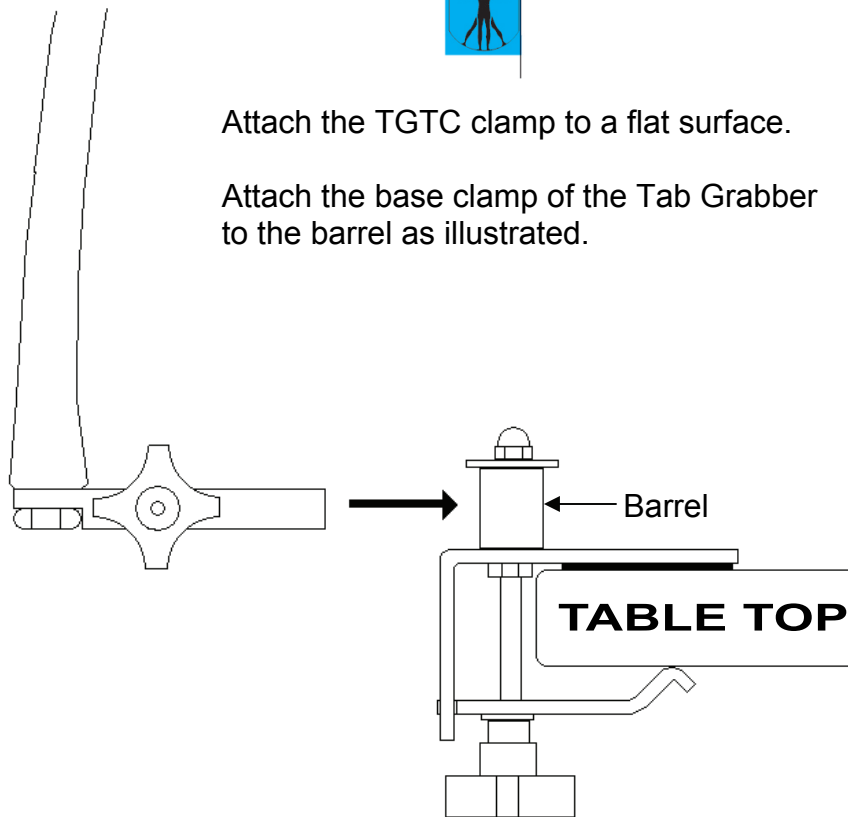
Model No.  
TGTC

TGTC table clamp attaches to any flat surface up to 1 1/4" thick. It can be mounted to both horizontal and vertical surfaces.



Attach the TGTC clamp to a flat surface.

Attach the base clamp of the Tab Grabber to the barrel as illustrated.



## Using TGTC as an alternate base clamp for the Tab Grabber

If desired, the TGTC can replace the base clamp of the Tab Grabber. Using a 9/16" wrench, remove the nut that holds the goose neck arm to the Tab Grabber base clamp.

Utilize the hole on the back of the TGTC to install the gooseneck arm. We recommend using a thread locking compound when re-installing and tightening the nut.

