



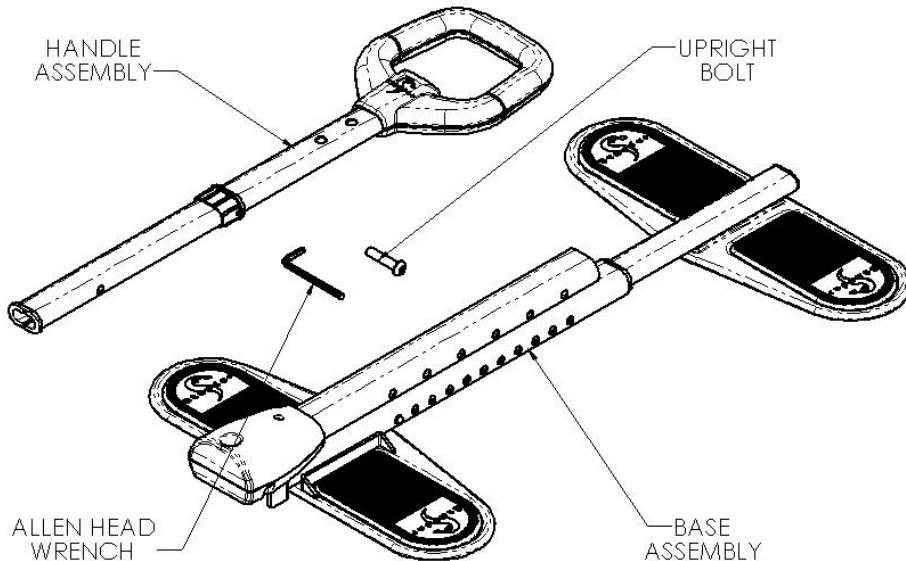
# Stander® Live the longer life you love®



Tel: 800.506.9901 ▲ Fax: 435.787.2301 ▲ 74 Canterbury Cir ▲ Logan, UT 84321 ▲ Stander.com ▲ Sales@Stander.com

## CouchCane Assembly Instruction Sheet

### Parts List:



### Step 1:

Pivot **Upright stationary tube** into the vertical position as shown in Figure 1 and insert the **Upright bolt** through the large hole in the plastic cover located at the base of the **Upright stationary tube** and tighten the **Upright bolt** with the **Allen head wrench**.

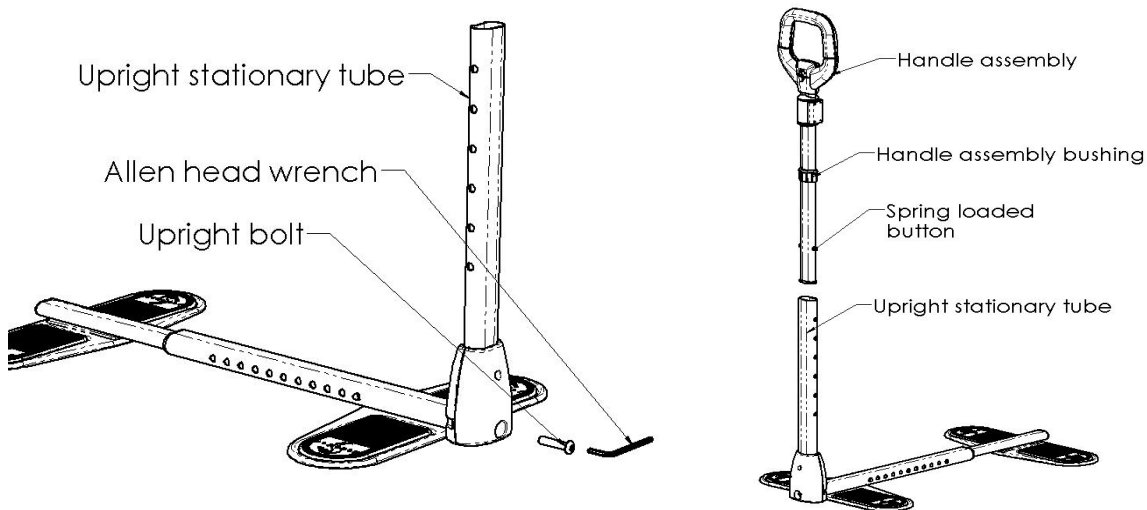


Figure 1

Figure 2

### Step 2:

To properly assemble the **Handle assembly** into the **Upright stationary tube**, the **Handle assembly bushing** must be fully inserted into the **Upright stationary tube**.

This can be accomplished by fully inserting the **Handle assembly** so that the **Spring loaded button** moves past all of the holes in the Upright stationary tube.

Continue to push down on the **Handle assembly** until it forces the **Handle assembly bushing** to fully engage the **Upright stationary tube**.

After the **Handle assembly bushing** is properly installed, adjust the height of the Handle assembly to the desired height by pressing the **Spring loaded button** and moving the **Handle assembly** up or down.

**Step 3:**

Place the assembled product along side of the couch or chair that you plan to use.

Adjust the **Base adjustment tube** to the appropriate length such that the furniture legs of the couch or the chair are centered on the rubber pads of both the **Base adjustment tube** and the **Base stationary tube** as shown in Figure 4 and Figure 5.

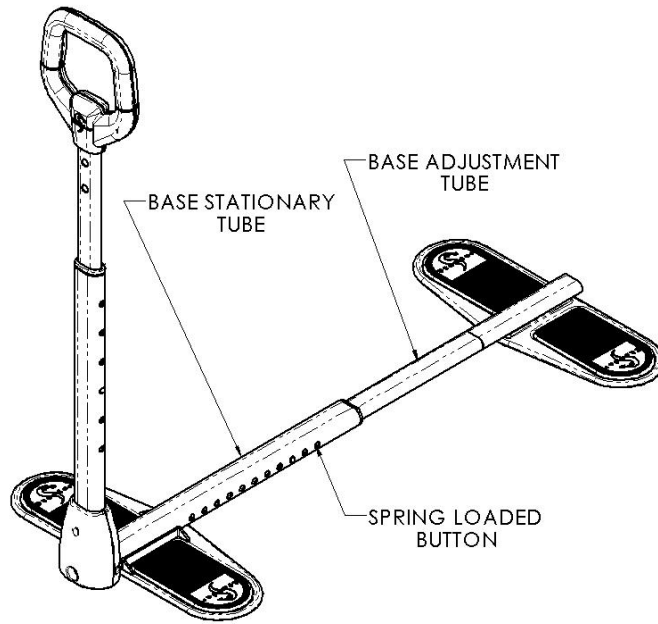


Figure 4

**Step 4:**

Make sure the Base Stationary Tube and Base Adjustment Tube are appropriately spaced such that the Furniture legs are centered front to back on the Product base rubber pads as shown below in Figure 5.

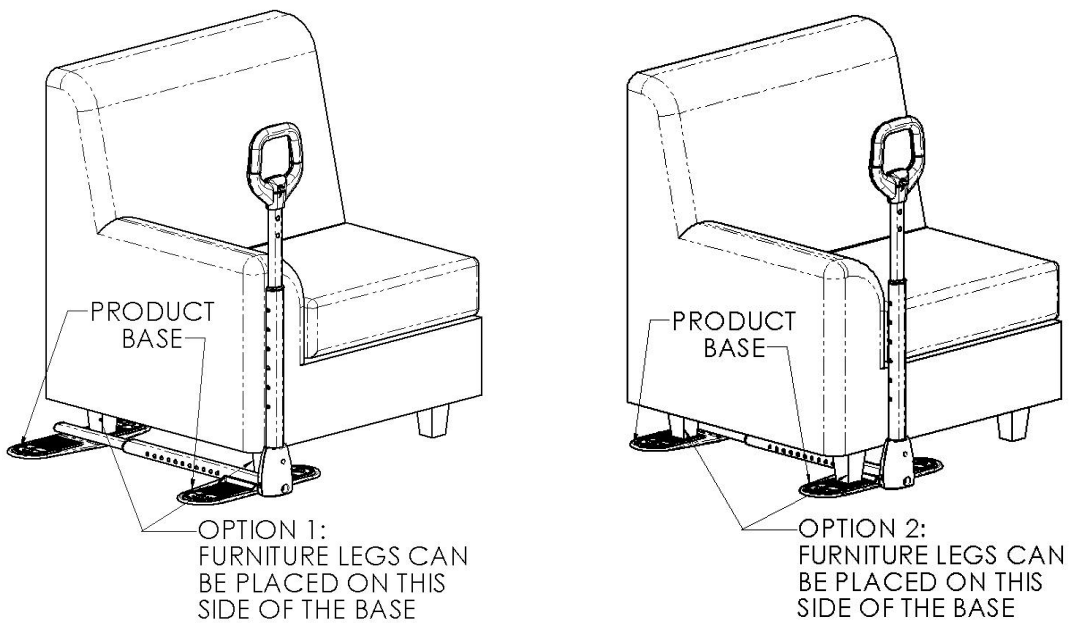


Figure 5

**Note:** Furniture legs of a chair or couch should be centered on the product base rubber pads AND positioned as close as possible to base stationary tube and base adjustment tube.



## **WARNING: Please read before using this product.**

1. Standers Medical Assist Products are devices intended for use by disabled persons to provide minimal to moderate weight support while standing and walking.
2. Serious injury or death can result if CouchCane is not properly installed. Standers Inc. is committed to providing safe products and informing the user of ways to prevent accidents.

### **SAFETY PRECAUTIONS:**

- ✓ Regularly check the CouchCane to make sure the feet of chair or couch are centered on the base feet and as close as possible to the main base tube as shown in instructions.
  - ✓ Additional safety measures should be taken for users that are a high risk. Such users include those who are not mentally conscious (including those individuals under medication), users who need to be under the care of another person for aid.
  - ✓ If you have any concerns or questions regarding these precautions, please contact Standers at 1-800-506-9901.
3. If you are suffering from an ailment or injury or are taking medications that affect your balance or ability to stand or sit down, you should first consult with a physician before using this product. If the product is not used properly, serious injury or harm could result.
  4. The product was not intended to carry the full weight of an individual. This product is only intended to provide balance and support while sitting and standing.
  5. The product instructions must be carefully followed to ensure that the product is properly assembled and positioned. Failure to follow the instructions could result in serious injury to the user(s) of the product.
  6. Children should not be allowed to hang on or play with the product.
  7. For the CouchCane, it is important that the weight of the couch or chair is adequate to support the product. The CouchCane is not well suited for and should not be used with light-weight chairs or couches.
  8. **DISCLAIMER:** Neither Standers, Inc. nor the manufacture is liable for any harm or injury that may result or has resulted from the improper use or assembly of the product.

### **Limited Warranty**

Congratulations on your purchase of your Standers brand product. We hope that it will ease your daily living. Please read the following warranty statement for your protection.

Standers, Inc. warrants to the original purchaser that this product will be free from defects in material and/or workmanship for 1 year from the date of purchase. During the warranty period, Standers, Inc. will correct any defects in material or workmanship, at no charge. The original purchaser, however, must prepay shipping cost. Any replacement parts will be new and are warranted for the remainder of the original warranty or thirty (30) days from the date of shipment, whichever is longer. The original purchaser must notify Standers, Inc. during the warranty period in writing of the defect in workmanship or material. This warranty is not transferable and covers only normal use. **NO SHIPPING CHARGES ARE REFUNDABLE.**

The warranty does NOT cover the following:

- Damage during shipment other than original shipment to retailer.
- Damage caused by unauthorized attachments, alterations, or modifications.
- Damage caused by the use of the product for purposes other than those for which the product was designed or intended.
- Damage caused by any other abuse, misuse, mishandling or misapplication.

Under no circumstances shall Standers, Inc. be liable for any special, incidental, or consequential damages based upon breach of this limited warranty, breach of contract, or strict liability.

**THERE ARE NO WARRANTIES WHICH EXTEND BEYOND THE DESCRIPTION ON THE FACE HEREOF. ALL OTHER WARRANTIES, EXPRESS OR IMPLIED (INCLUDING ALL IMPLIED WARRANTIES OF MERCHANTABILITY OR FITNESS FOR A PARTICULAR PURPOSE), ARE HEREBY DISCLAIMED.**

Some states do not allow limitations on how long an implied warranty lasts, so the above limitation may not apply to you. This warranty gives you specific legal right, and you may also have other rights, which vary from state to state.

To obtain service under this warranty, you can reach Standers Inc. at 74 Canterbury Circle, Logan, Utah 84321.