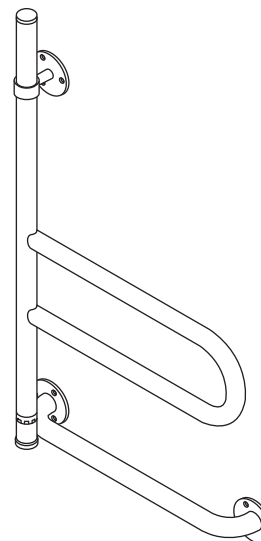


Technical Data Sheet

Product Specification

The grab rail shall have a dual horizontal rail that can pivot and lock in five positions each 45° apart. The pivot feature on the product shall be unlocked by lifting the dual rail, and relocked by releasing the dual rail. The product shall be constructed of 1.25"/3.2 cm stainless steel tubing. The pivoting rail shall be 18" in length. The lower rail of the product shall be 18"/45.7 cm in length. The product shall have a weight capacity of 325 lbs/147 kg. The grab rail shall be HealthCraft Products model DB-18-____ (see table below for appropriate product code).



Key Features

- Lift to Unlock/Release to Lock
- Locks ever 45°
- Stainless Steel Construction
- Suitable For Use in a Wet Environment
- 325lbs / 147kg Weight Capacity

Codes and Standards

- ADA Compliant Rail Diameter (ADAAG 4.26.2)
- ADA Compliant Structural Strength (ADAAG 4.26.3)

Specified Model

Model	Lower Grab Bar Length	Finish	Material
DB-18-PCW	18" / 45.7cm	Powder Coat White	Stainless Steel
DB-18-Sk	18" / 45.7cm	Knurled Stainless Steel	



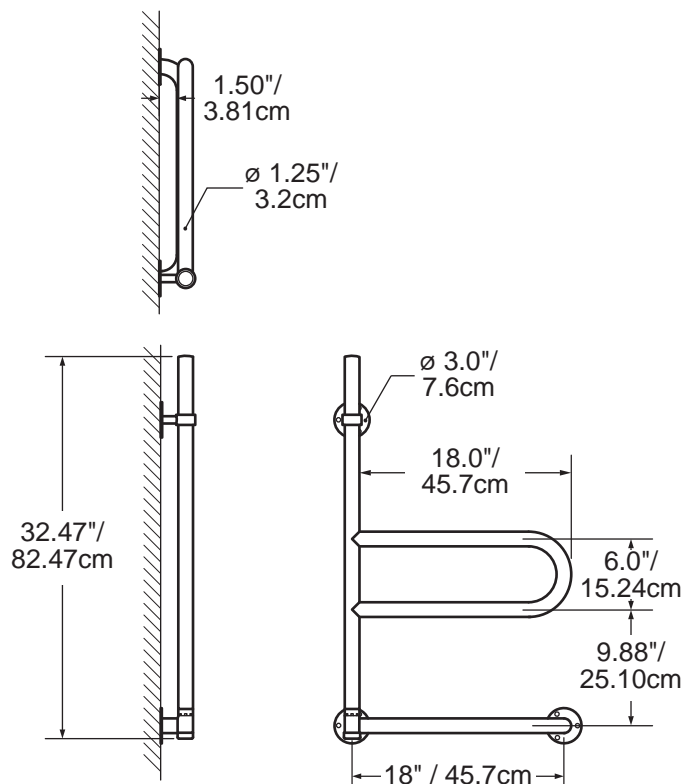
DependaBar™

Pivoting and Locking Support Rail

Technical Data Sheet

Product Dimensions

Model	A (Support Spacing)	Weight
DB-18	18" / 45.7cm	9lbs / 4.1kg



Shipping Dimensions

Model	Height (H)	Width (W)	Depth (D)	Weight
DB-18	4" / 10.2cm	20" / 50.8cm	38" / 96.5cm	10lbs / 4.5kg

