

Invisia™ Corner Shelf

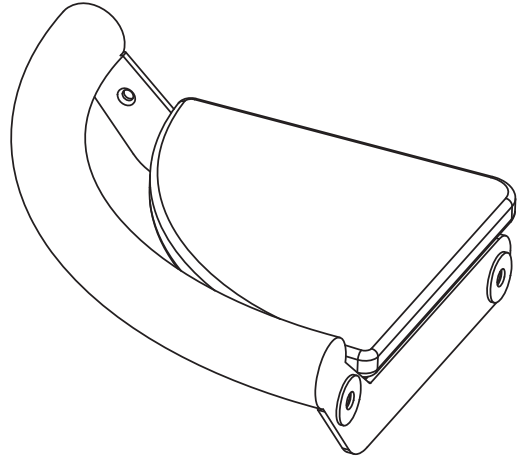
with Support Rail

INVISIA
LIVE BEAUTIFULLY

Technical Data Sheet

Product Specification

The product shall be a combination corner shelf and grab rail. The product shall have a removable solid surface shelf. The product shall be mounted to the wall using two discreet 0.125"/0.318cm thick plates. The grab rail portion of the product shall be 1.25"/3.2 cm in diameter. The product shall be suitable for use in a wet environment. The product shall have a weight capacity in excess of 500lbs / 227kg. Product shall comply with ADA Guidelines, specifying the structural strength of grab bars, tubs and shower seats. The grab rail shall be Invisia Collection model INV-CS-____ (see table below for appropriate product code).



Key Features

- Elegant Design with Integrated Support
- Solid Surface Shelf
- Solid Construction and Mounting
- Discreet Wall Support
- Suitable For Use in a Wet Environment
- 500lbs / 227kg Weight Capacity

Codes and Standards

- ADA 609.2 Cross Section
- ADA 609.8 Structural Strength

Specified Model

Model	Finish	Material
INV-CS-BS	Brushed	#304 Stainless Steel
INV-CS-CP	Polished Chrome	
INV-CS-ORB	Oil Rubbed Bronze	



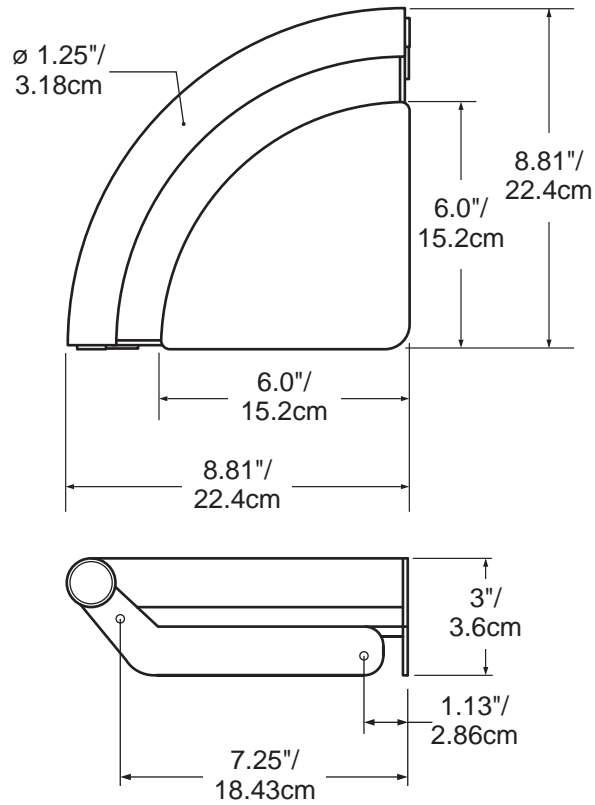
Invisia™ Corner Shelf

with Support Rail

INVISIA
LIVE BEAUTIFULLY

Technical Data Sheet

Product Dimensions



Shipping Dimensions

Model	Height (H)	Width (W)	Depth (D)	Weight
CS	4" / 10.2cm	9.5" / 24.1cm	10.5" / 26.7cm	4lbs / 1.8kg

